

EYE-02 GSM SECURITY CAMERA APPLICATION NOTE

EYE-02 OUTDOOR INSTALLATION

The EYE-02 plastic body is water resistant, but must not be permanently exposed to water (rain and snow) in combination with temperature changes. It is not recommended to install it just as it is.

It is only acceptable to operate EYE-02 outdoor but only if you install it to place where it is shielded from rain or snow.



*The EYE-02 placed under the roof near the car parking door.
In this place the rain or snow can not reach the EYE-02.*

Generally for outdoor environment JABLOCOM recommends using Outdoor Cover (order number JCM.002.OC). This cover has been customised for EYE-02. The installation is simple and easy.

THE PACKAGE CONTENT

Outdoor Cover for EYE-02 is packed in 2 boxes. One contains cover (part 1) and second box contains support foot (part 2).



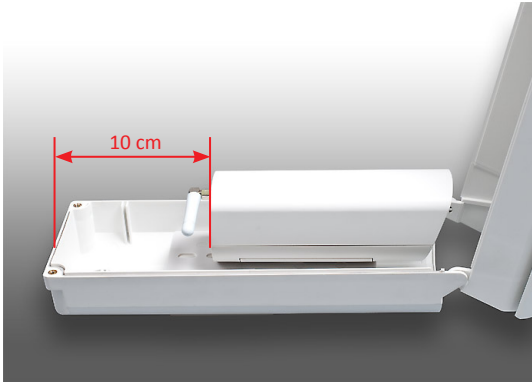
Part 1



Part 2

USING THE OUTDOOR COVER - JCM.002.OC

In normal situation the front panel with glass window of Outdoor Cover should be removed during installation. It is important to mount EYE-02 into Outdoor Cover in the right position - see picture.



The EYE-02 mounted into Outdoor Cover in optimal position



Possible problems if camera is not in recommended position: loss of protection against rain or snow, cover visible in picture, limited angle of view (video and PIR), impossible to use IR lights.

In case of risk of direct contact with water (open space with regular strong winds and heavy rains, workplace where power water is used e.g. car wash) keep the front panel with glass window in the cover when installing EYE-02.



You will have to switch off internal IR illumination, PIR detector will not work.



*The EYE-02 mounted into Outdoor Cover with glass.
EYE-02 body should touch front panel.*



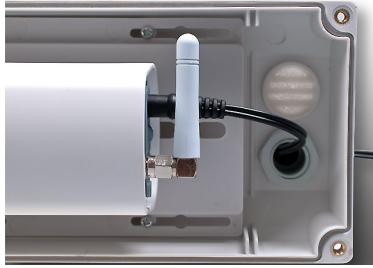
*The EYE-02 in the Outdoor Cover
with front panel mounted.*

HOW TO MOUNT EYE-02 INTO OUTDOOR COVER

1. loose 2 screws on the back and open cover
2. loose 4 screws keeping the plate inside the cover
3. slide the plate and remove from cover
4. remove front panel with glass window from cover (optionally: keep it in cover)
5. remove battery cover from EYE-02
6. attach plate with battery cover to EYE-02 and tighten the screw
7. place the plate with EYE-02 back into cover, move to the right position and fix with 4 screws
8. install feed-through with the power cable (optionally you can also install USB cable for configuration with closed cover) and connect cable(s) to EYE-02
9. close cover and tighten 2 screws on the back



Step 1



Step 2



Step 3

USING EXTERNAL IR LIGHTS

External IR illuminator enables EYE-02 night vision if you use Outdoor Cover with front panel or if you want to just improve quality of night pictures.



Internal IR light only



External IR light only

► **The distance**

If you are going to use external IR reflector keep distance between EYE-02 and IR lamp 1 meter or more. It prevents situation when rain or snow passing in front of EYE-02 is illuminated by IR lights and detected as a motion. Heavy snow flakes or heavy rain always might be detected as motion but with right IR light position it can be almost eliminated.

► **Do not ray to the lens**

Never mount IR reflector pointing to the EYE-02 lens. If you do it you will see at nights only low contrast picture. The best position for IR light is the place where you can not see the EYE-02 black front side. It can be slightly behind EYE-02, too.

▶ **External, Internal or both**

If you use enough powerful external IR light you can leave internal IR on. If the EYE-02 see that the scene is lit enough it will not use internal IR and you will have the backup for case of electricity black out.

Using external IR and internal IR together is also possible but you find that the scene with internal one switched on is less contrast than if using only external one. Internal IR was designed especially for indoor use.



▶ **Right wavelength**

The EYE-02 lens pass the IR lights with wavelength 850nm only. Before obtaining external IR illumination make sure that it use same wavelength.



IR iluminator



Example of instalation with external IR iluminator

UNIVERSAL OUTDOOR COVER USAGE

In case you are going to use EYE-02 with another outdoor cover, please note two main problems you might face up:

▶ **antenna shielding**

- use cover made completely from plastic
- use external antenna mounted outside the cover

▶ **front glass**

- PIR will not work through the front window
- Internal IR illumination have to be disabled